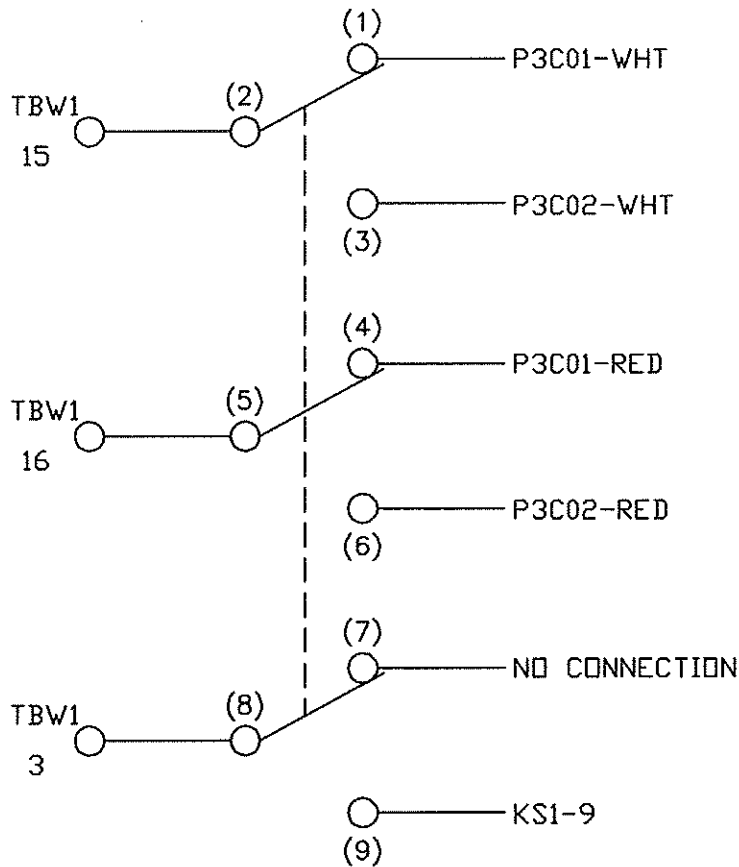


S10469

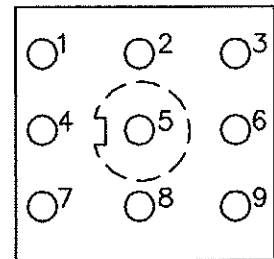
ALBERT

THIS DOCUMENT CONTAINS INFORMATION PROPRIETARY TO BUCYRUS MINING EQUIPMENT INC. IT SHALL NOT BE REPRODUCED, USED OR DISCLOSED TO ANYONE WITHOUT PRIOR WRITTEN PERMISSION OF BUCYRUS.
© COPYRIGHT DATE 02/05/11

DR. POZATEK
ENG. APP. TAYLOR
REL. CK. MG



NOTE: PINS 3 & 6 ARE TO BE CONNECTED TO THE THIRD PARTY INTERFACE. PINS 1 & 4 ARE TO BE CONNECTED TO THE LAPTOP SERIAL CONNECTOR.



SWITCH BOTTOM

P3C01-BLK, P3C02-BLK	14	KS1-73
---	15	KS1-74
---	16	KS1-75

NOTE: THIS SCHEMATIC IS TO TAKE PRECEDENCE OVER S10660 FOR TBW1-14, 15, 16 ALL OTHER CONNECTIONS ARE UNCHANGED.

CONNECT TBW1-15 TO PIN TWO MARKED RX ABOVE.
CONNECT TBW1-16 TO PIN FIVE MARKED TX ABOVE.

CONNECT 3RD PARTY INTERFACE AND CCUSC2 SERIAL CONNECTOR AS SHOWN.



COMMUNICATION SWITCH

SHEET 1 OF 1

S10469

EN098088
EN097933
E.N. NO.